

For reference only. See data sheet for the detailed specifications.

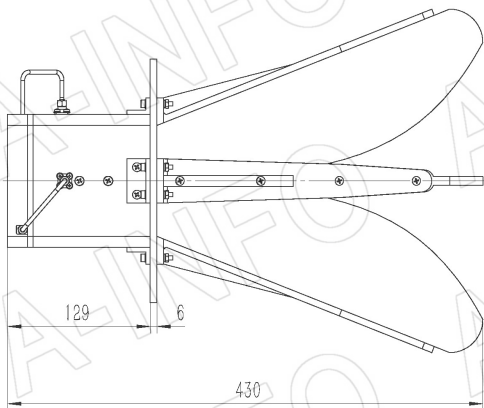
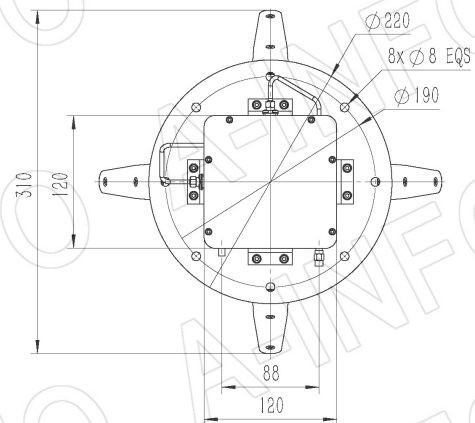
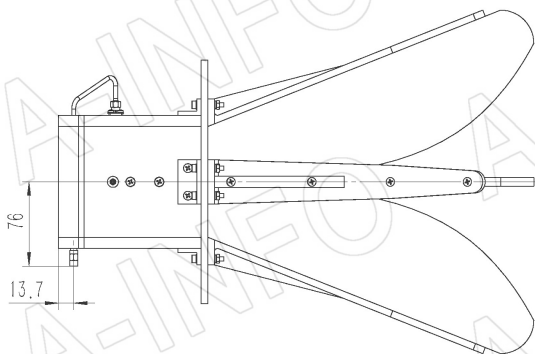
## Technical Specification



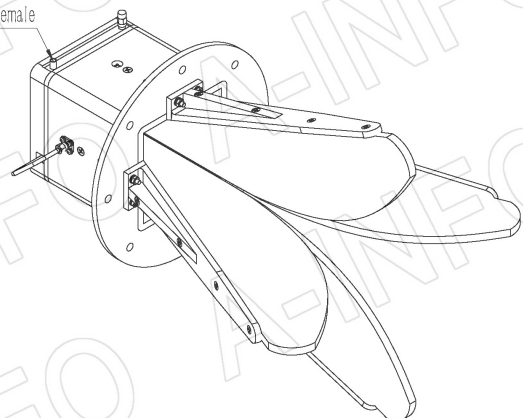
Frequency Range(GHz)	0.7 - 10.0
Gain(dBic)	10 Typ.
Polarization	LHCP
Axial Ratio(dB)	2.0 Typ.
	5.0 Max.
3dB Beamwidth(deg)	E Plane: 121 - 16
	H Plane: 140 - 13
VSWR	2.0:1 Max.
Connector	SMA-Female
Power Handling(W CW)	50 Max.
Material	Al
Finish	Chemical Conversion Coating and Nickel Plated
Size(mm)	310 x 310 x 430
Net Weight(Kg)	5.0 Around

## Outline Drawing (Size: mm)

SMA Female Output (P/N: LB-OSJ-07100-P01)



LHCP Connector: SMA Female



**AINFO Inc.**

China(Beijing):  
China(Chengdu):  
USA :

Tel: (+86) 10-6266-7326,  
Tel: (+86) 28-8519-2786,  
Tel: (+1) 949-639-9688,

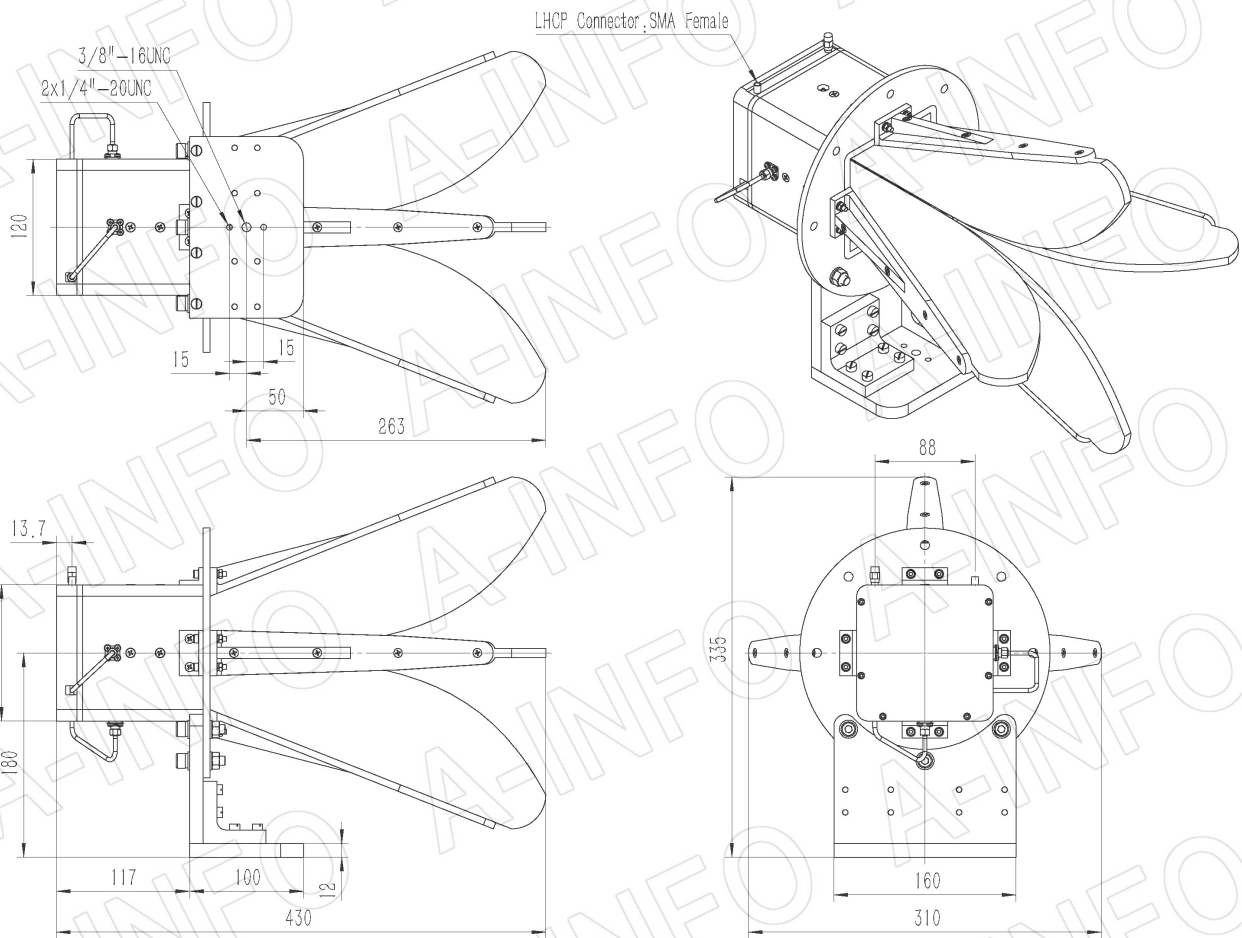
(+86) 10-6266-7327  
(+86) 28-8519-3044  
(+1) 949-639-9608

Page 1 of 7

Fax: (+86) 10-6266-7379  
Fax: (+86) 28-8519-3068  
Fax: (+1) 949-639-9670

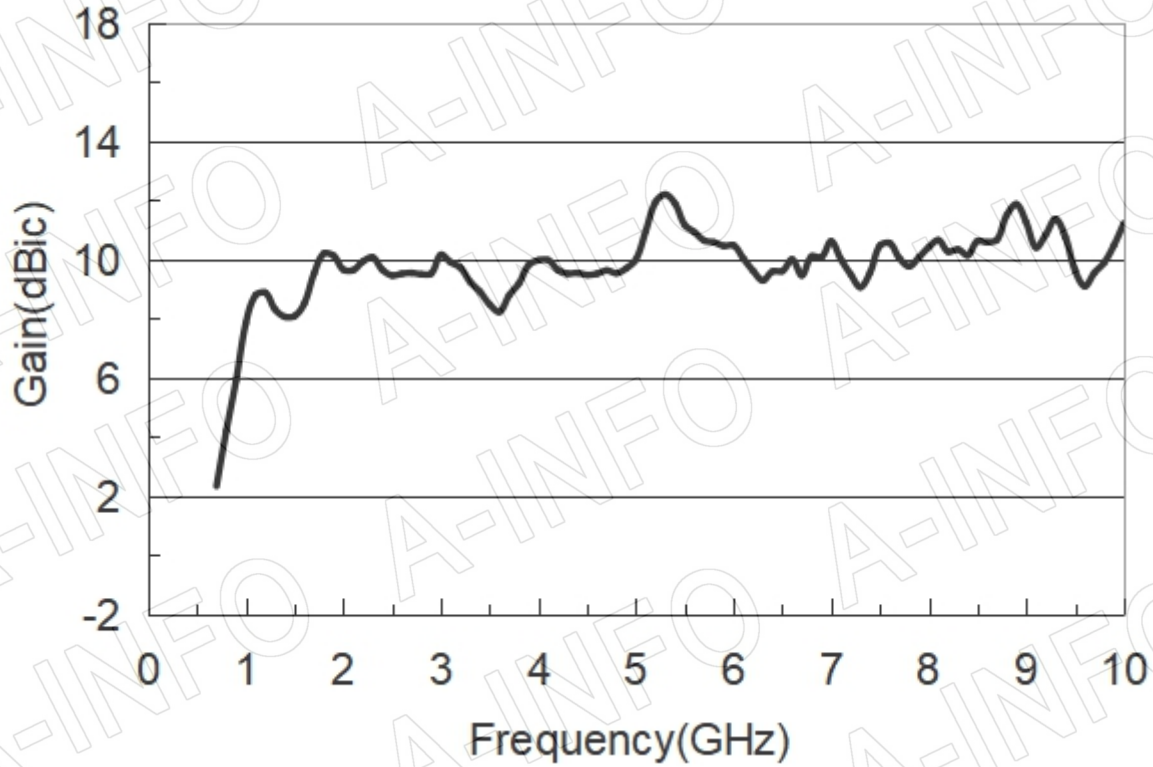
Website: [www.ainfoinc.com](http://www.ainfoinc.com)  
Email: [sales@ainfoinc.com](mailto:sales@ainfoinc.com)

SMA Female Output with L Type Mounting Bracket (Option, P/N: LB-OSJ-0760-L)

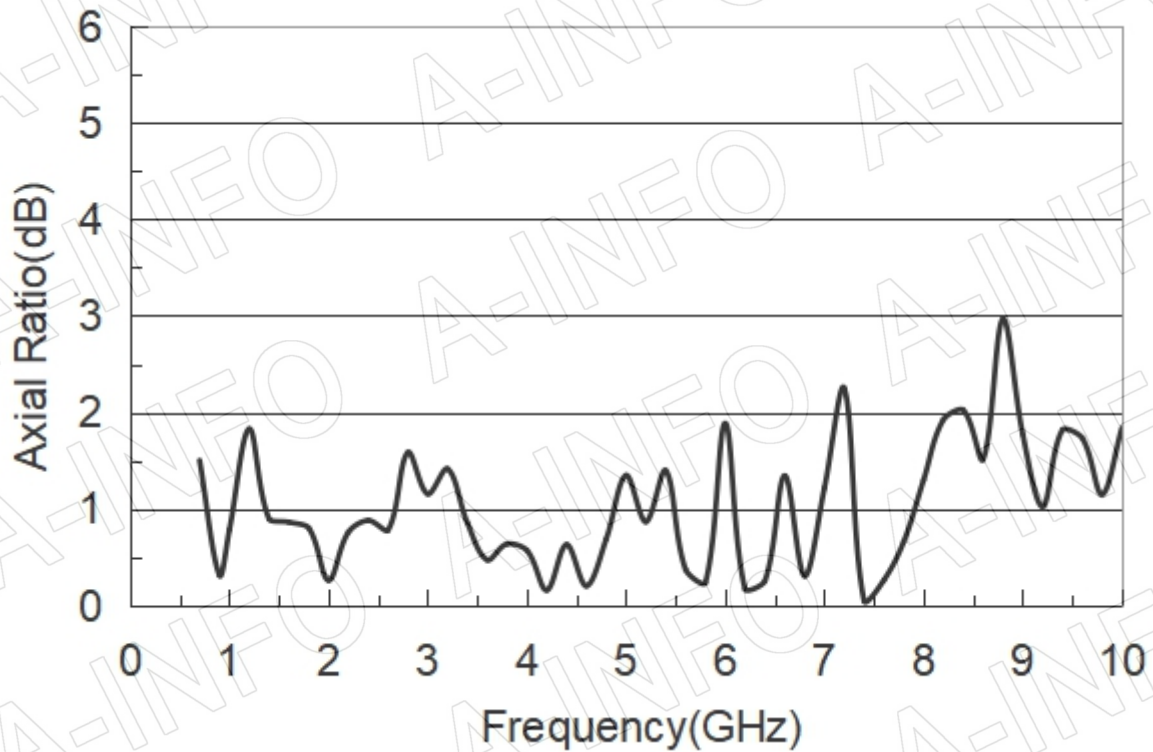


## Test Results

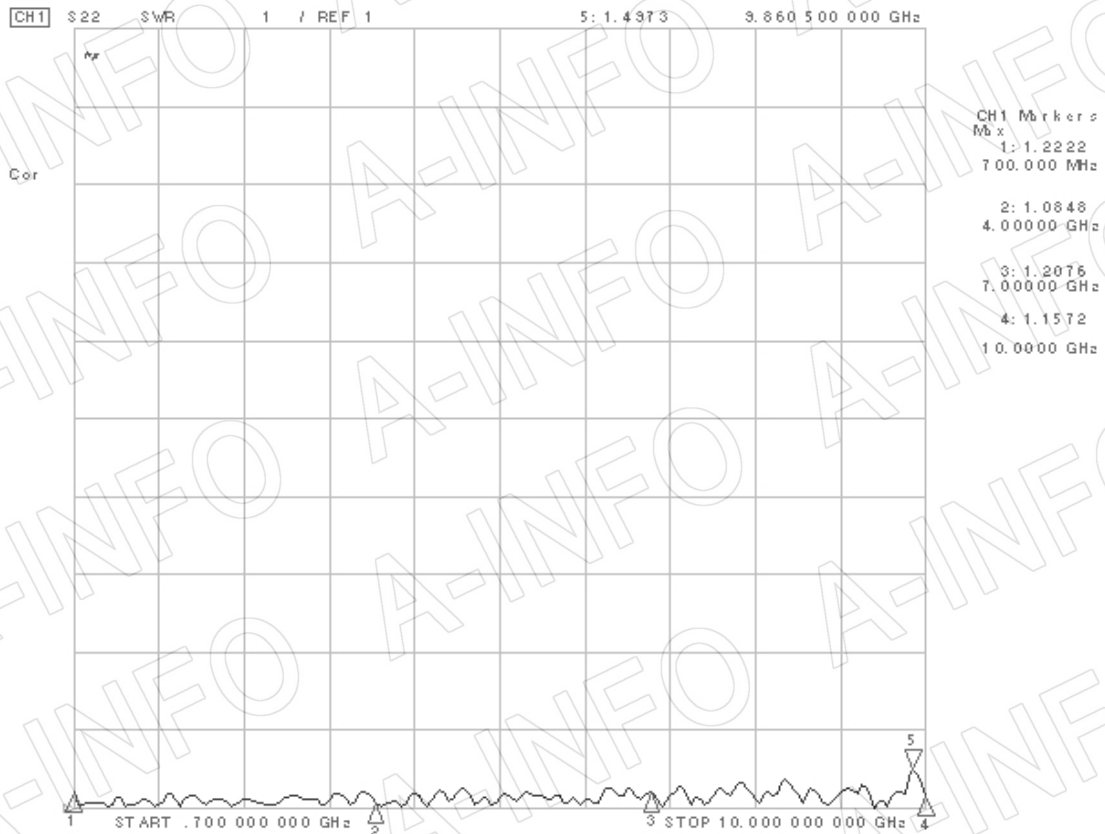
### 1. Gain



### 2. Axial Ratio



### 3. VSWR



### 4. Pattern

